



HOVERCOVER™ SLIDE

User Manual



Visit www.HoverTechInternational.com for other languages

TABLE OF CONTENTS

Symbol Reference	2
Intended Use and Precautions.....	3
Part Identification - HoverCover Slide.....	3
HoverCover Slide Product Specifications.....	3
Instructions for Use	4
Cleaning and Preventive Maintenance	4
Returns and Repairs.....	5

Symbol Reference



CE MARKING OF CONFORMITY



UK MARKING OF CONFORMITY



AUTHORIZED REPRESENTATIVE



UK RESPONSIBLE PERSON



SWITZERLAND AUTHORIZED REPRESENTATIVE



CAUTION / WARNING



DISPOSAL



OPERATING INSTRUCTIONS



LATEX FREE



LOT NUMBER



MANUFACTURER



DATE OF MANUFACTURE



MEDICAL DEVICE



SERIAL NUMBER



SINGLE PATIENT - MULTIPLE USE



DO NOT LAUNDRER



UNIQUE DEVICE IDENTIFIER

HOVERCOVER[™] SLIDE User Manual

Intended Use and Precautions

INTENDED USE

The HoverCover Slide is a dual purpose slide sheet that combines a breathable, highly absorbent pad with a friction reducing bottom to facilitate repositioning, boosting and lateral transfer. Specialized integrated handles assist caregivers with patient repositioning.

The HoverCover Slide reduces shear and friction during repositioning, supports microclimate management, and helps ease caregiver strain.

INDICATIONS

- Patients unable to assist in their own repositioning (including turning and boosting) and lateral transfer.
- A minimum of two caregivers are necessary. Additional caregivers may be needed based on individual patient needs and clinical judgement.

CONTRAINDICATIONS

- Do not lift patient with HoverCover Slide.
- Not for use with patients over the weight limit of 600 lbs.

INTENDED CARE SETTINGS

- Hospitals, long-term, extended care facilities or Home Health.

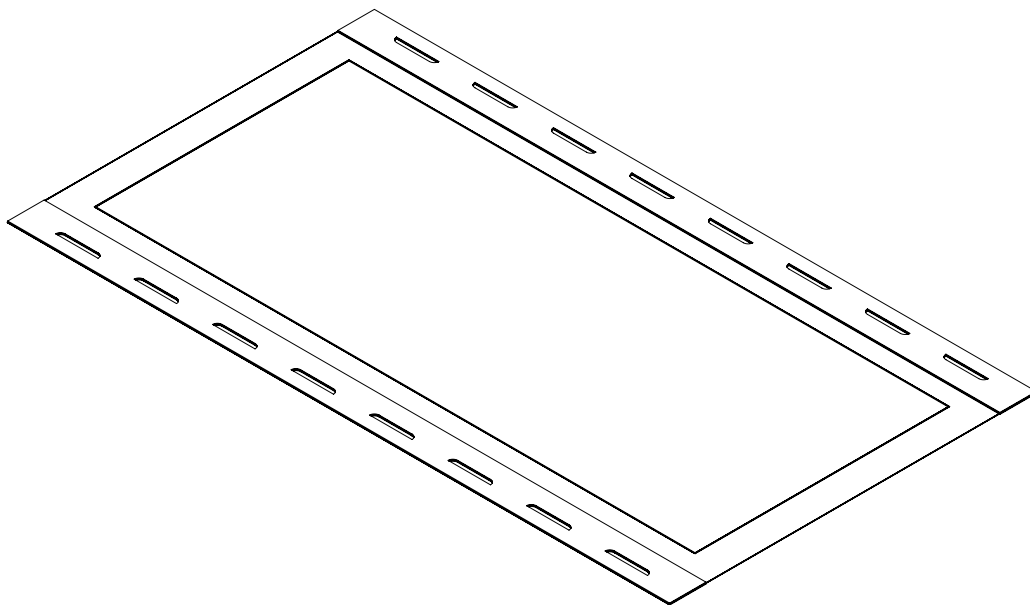
PRECAUTIONS – HOVERCOVER SLIDE

- Do not launder.
- Use this product only for its intended purpose as described in this manual.



In the OR – To prevent patient from slipping, secure the patient and HoverCover Slide to the OR table prior to moving the table into an angled position.

Part Identification – HoverCover Slide



Product Specifications

HOVERCOVER SLIDE

Length:	78" (198 cm)
Width:	39" (99 cm)

Model #: HMAC-SS-FULL (30 per case)



HOVERCOVER[™] SLIDE User Manual

Instructions for Use

PLACING THE PRODUCT ON THE BED - LOG ROLLING TECHNIQUE

1. Remove the HoverCover Slide from the bag and place length-wise next to the patient.
2. Unfold the HoverCover Slide furthest from the patient to the side of the bed.
3. Tuck the other side under the patient as far as possible.
4. Roll the patient onto their side toward the unfolded HoverCover Slide. Unroll the rest of the HoverCover Slide from under the patient to cover the bed.
5. Place the patient back in a supine position.

BOOST/REPOSITION

1. Ensure the brakes are locked and lower the head of bed. A minimum of two caregivers are necessary. Additional caregivers may be needed based on individual patient needs and clinical judgement.
2. Place HoverCover Slide underneath patient using a log rolling technique. Be sure patient is centered on the product prior to movement.
3. Using the handles, boost/reposition the patient using proper ergonomic positioning.

LATERAL TRANSFER

1. Patient should be in a supine position and centered on the HoverCover Slide.
2. Ensure that transfer surfaces are as close as possible and lock all bed/stretcher wheels.
3. If possible, transfer from a higher surface to a lower surface. Bridge the gap between the two surfaces using an extra sheet or blanket.
4. Grab the handles alongside the HoverCover Slide and slide the patient onto the receiving surface.
5. Ensure patient is centered on receiving equipment.
6. Raise the bed/stretcher rails.

Cleaning and Preventive Maintenance



CLEANING INSTRUCTIONS

HoverCover Slide is a single patient use device and should be discarded once soiled.



Do not launder or place in a dryer.



PREVENTIVE MAINTENANCE

Prior to use, a visual inspection should be performed on the HoverCover Slide to ensure that there is no visible damage that would render the HoverCover Slide unusable.

INFECTION CONTROL

The HoverCover Slide is a single patient use device, eliminating the possibility of cross contamination and the need for laundering. If the HoverCover Slide is used for an isolation patient, the hospital should employ the same protocols/procedures it utilizes for the bed mattress and/or for linens in that patient room.

Transportation and Storage

This product does not require any special storage conditions.

Returns and Repairs

All products being returned to HoverTech must have a Returned Goods Authorization (RGA) number issued by the company. Please call (800) 471-2776 and ask for a member of the RGA Team who will issue you an RGA number. Any product returned without an RGA number will cause a delay in the repair time.

Returned products should be sent to:

HoverTech
Attn: RGA # _____
4482 Innovation Way
Allentown, PA 18109

For European companies, send returned products to:



Attn: RGA # _____
Kista Science Tower
SE-164 51 Kista, Sweden

For product warranties, visit our website:

<https://hovertechinternational.com/standard-product-warranty/>



HoverTech

4482 Innovation Way
Allentown, PA 18109

www.HoverTechInternational.com
Info@HoverTechInternational.com

These products comply with the standards applicable for Class 1 products in the Medical Device Regulation (EU) 2017/745 on medical devices.



Etac Supply Center AB
Långgatan 12
334 33 Anderstorp Sweden



Etac Ltd.

Unit 60, Hartlebury Trading Estate,
Hartlebury, Kidderminster,
Worcestershire, DY10 4JB
+44 121 561 2222

www.etac.com/uk



TapMed Swiss AG

Gumprechtstrasse 33
CH-6376 Emmetten
CHRN-AR-20003070

www.tapmed-swiss.ch

In case an adverse event in relation to the device, incidents should be reported to our authorized representative. Our authorized representative will forward information to the manufacturer.



4482 Innovation Way
Allentown, PA 18109

800.471.2776
Fax 610.694.9601

HoverTechInternational.com
Info@HoverTechInternational.com